



CONTROL FLOW INC.



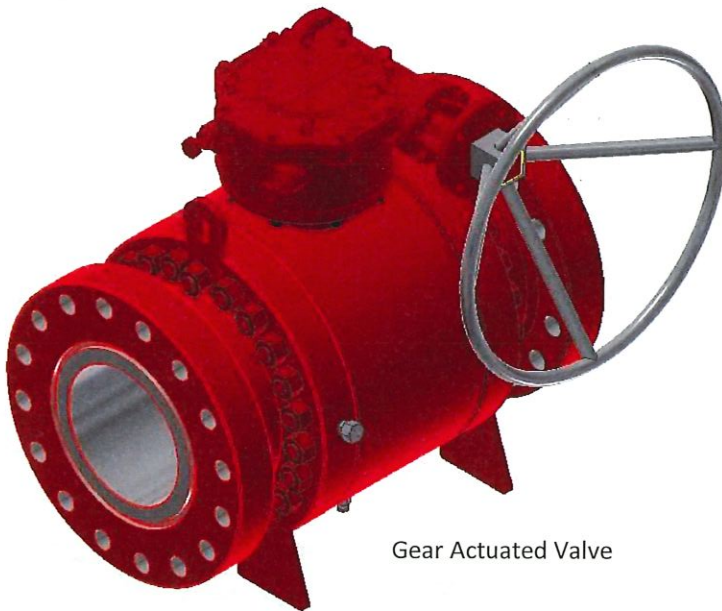
FLOCON MO-COMP **WESTECH** RETSCO

TRUNNION MOUNTED BALL VALVES

The Control Flow, Inc. Trunnion Mounted Ball Valves offers dependable non-directional sealing, easy control, lightweight, made of high quality material to handle temperature and pressure, high dependency and low maintenance, and meets API Standard 6FA design requirements for fire safe.

PRODUCT FEATURES/BENEFITS

- Made in the USA for quality material and product reliability.
- Engineered, manufactured, and tested in accordance with API 6D meeting proven industry standards.
- Valve Body and trim that is NACE MR-0175 compliant for added service life.
- Body cavity pressure relief for safe operation.
- Emergency Stem and Seat Sealant injection ports for better maintenance and operation.
- Manufactured from carbon, alloy or stainless steel material to meet Industry requirements.
- 4" and larger valves supplied standard with worm gear providing low operating torque.



Gear Actuated Valve

Control Flow, Inc./FLOCON Products

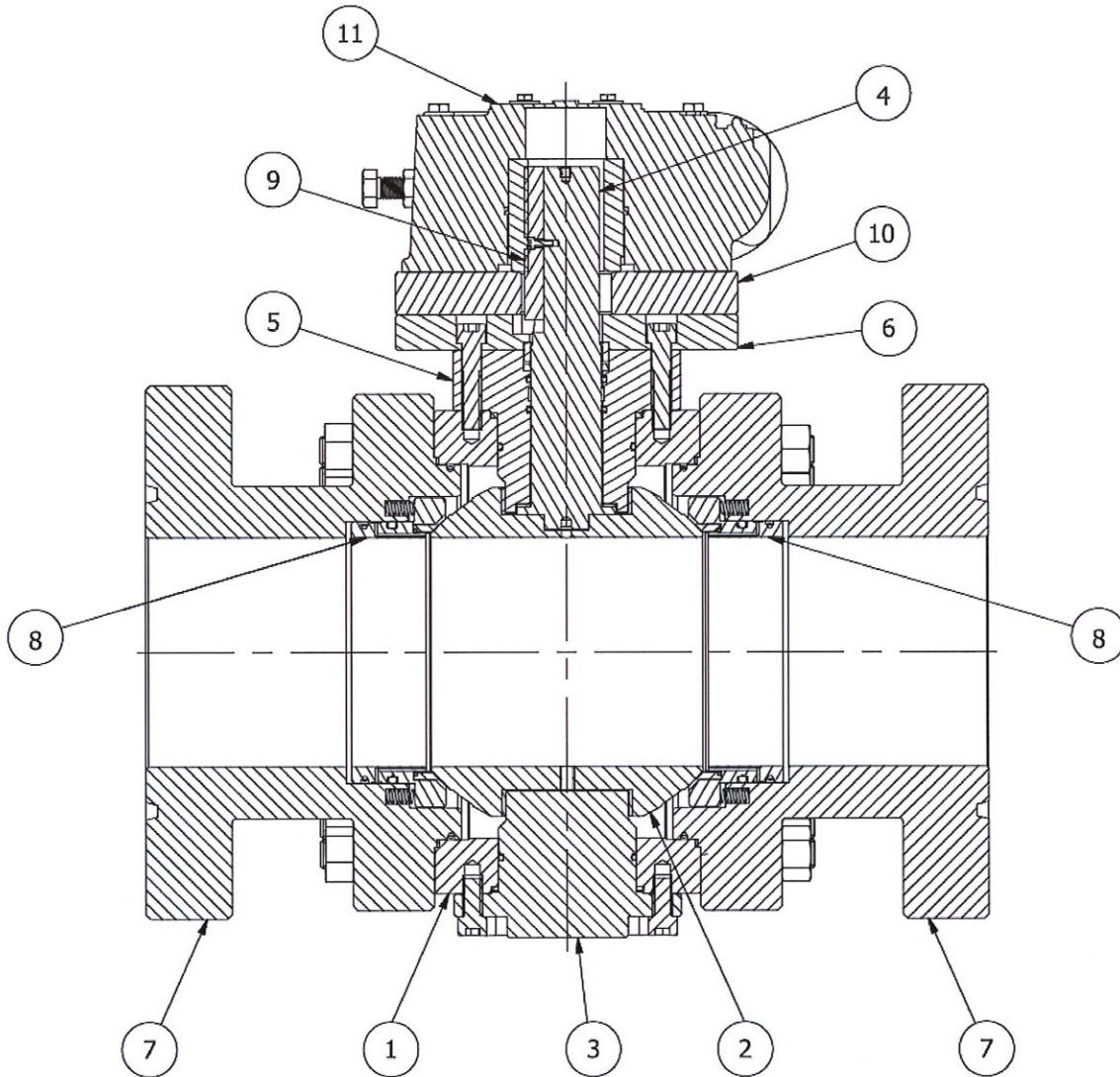
Meeting Ball Valve Needs Worldwide.

Contact a Control Flow, Inc. sales representative for further detailed information.

Control Flow, Inc. • 9201 Fairbanks N. Houston Rd. • Houston, Texas 77064-6206 • Phone (281) 890-8300
Fax (281) 890-3947 • E-mail: sales@controlflow.com • Web: www.controlflow.com

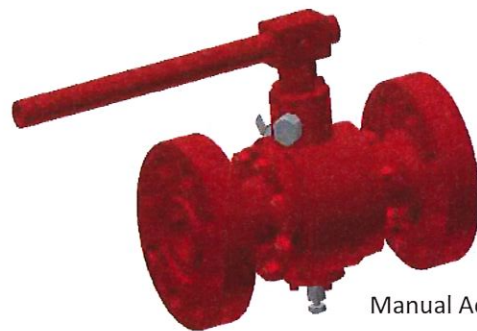
Copyright Control Flow, Inc. 2020

BALL VALVE COMPONENTS



Parts	
1. Valve Body	7. Closure
2. Ball	8. Seat Ring
3. Trunnion	9. Stem Key
4. Stem	10. Actuator Plate
5. Bonnet	11. Worm Gear Box
6. Adapter Plate	

Sizes Available						
Class 600	2"	4"	6"	8"	10"	12"
Class 900	2"	4"	6"	8"	10"	12"



Manual Actuated Valve